

## Special features

- High resolution & excellent performance provided by conductive plastic & alloy wiper
- Anti-interference design with high reliability
- Running smoothly in dual-bearing design, and high strength with metal housing
- Flange/thread mounting in smart size

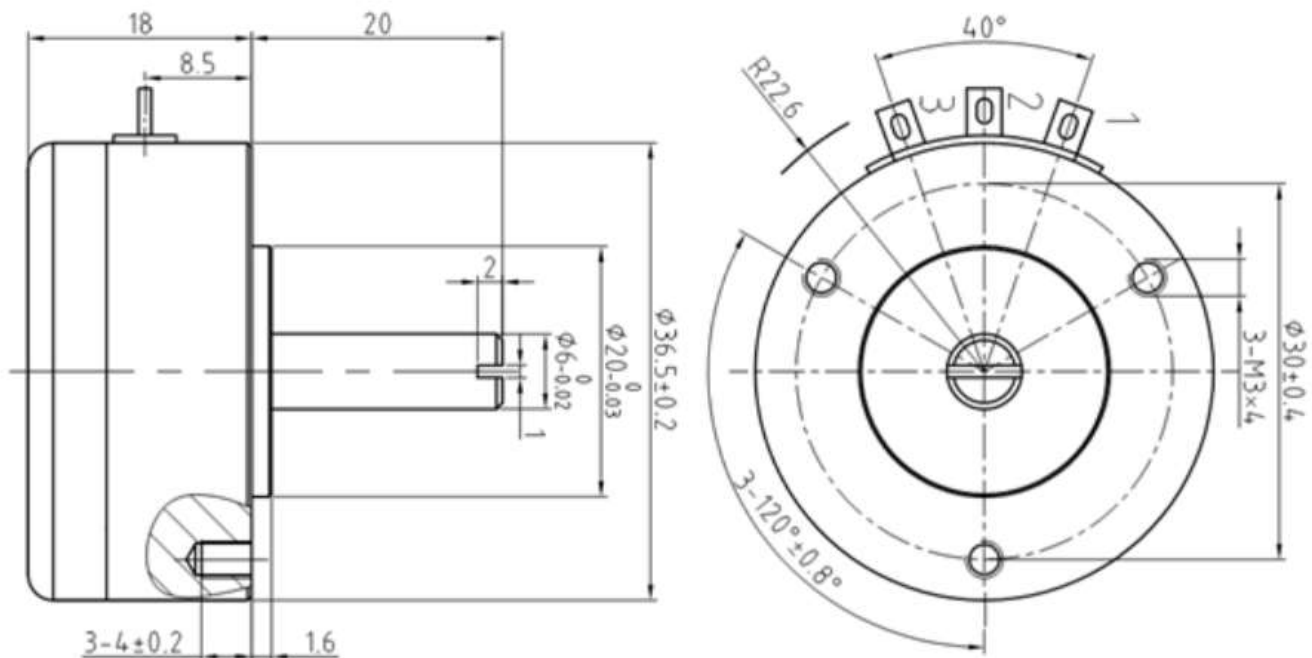
## Applications

Engineering machinery, textile machinery, railway equipment, instruments and meters, etc.

## RPN



## Mechanical Dimension



## Technical Specifications

<b>ELECTRICAL</b>		
Electrical travel	0 ~ 355	30、45、60、90、100、120、180、300、345、350
Recommended supply voltage	5~16	DC V
Max. permissible applied voltage	36	DC V
Independent linearity	±0.1	%
Hysteresis	<1	%
Repeatability	≤0.007	%
Available resistance values	1、3、5、8、10	kΩ
Resistance tolerance	±20	%
Insulation resistance	≥10	MΩ
<b>MECHANICAL</b>		
Dimensions		see drawing
Mechanical travel	360°	°(continuous)
Maximum operational speed	10,000	RPM
<b>DURABILITY</b>		
Vibration		16-22 G <sub>RMS</sub> Random for 20hrs
Shock		50 g;11 ms
Thermal shock	5000 cycles	-40 °C 1hr→100°C 1hr→-40°C
Room temperature	100×10 <sup>6</sup>	cycles (4Hz,5v)
Salt fog	96 hrs	with 5% Neutral Salt at 35°C
Dust	2hrs	48 km/hr Coarse Dust at 80°C
Shock		850 g 11 ms
Drop	1m, 3 times	
<b>ENVIRONMENTAL</b>		
Housing class	IP40	IEC 529
Temperature range	-20 ~+80	°C
Life	>5 ×10 <sup>6</sup>	movements